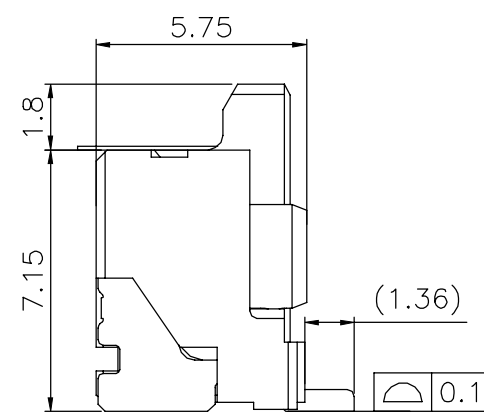
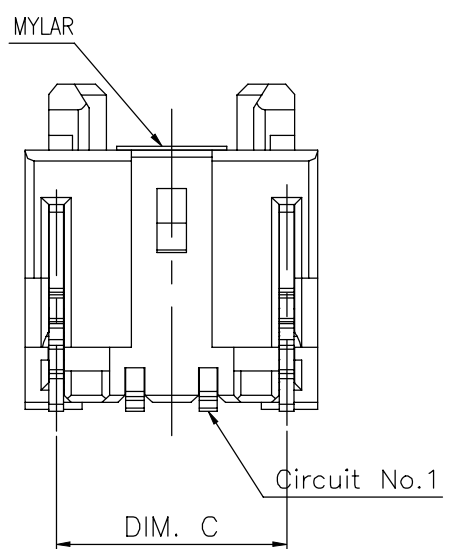
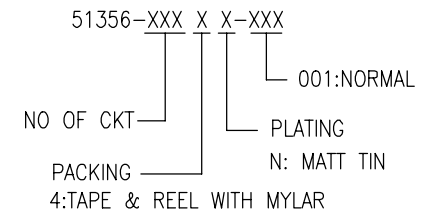


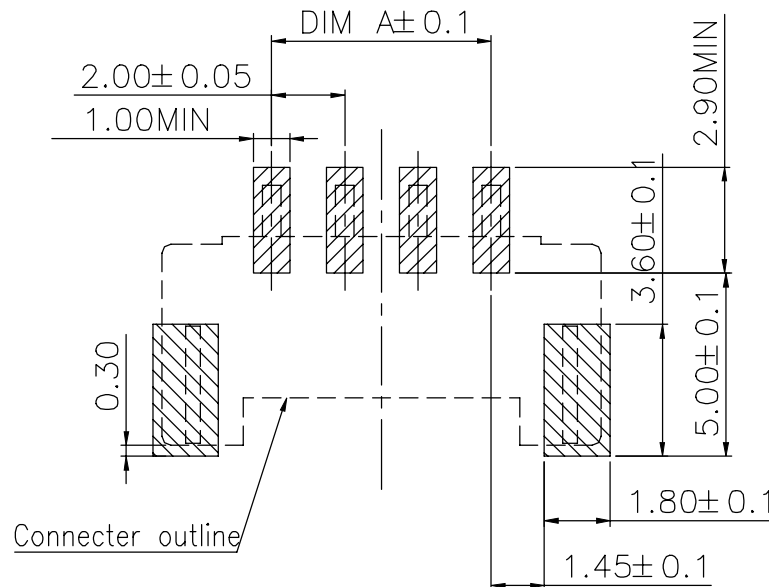
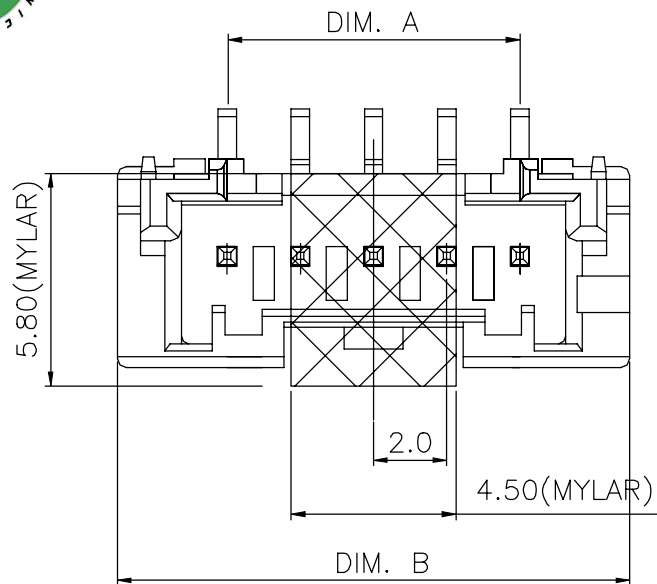
RECOMMENDED PCB LAYOUT
GENERAL TOLERANCE ±0.05

- NOTES:
- MATERIAL:
 - HOUSING: THERMOPLASTIC, HIGH TEMP., UL94V-0; COLOR:NATURAL.
 - CONTACT: COPPER ALLOY
 - FITTING NAIL: COPPER ALLOY
 - FINISH:
 - CONTACT:
 - 80u" MIN. MATT TIN PLATING OVERALL,
 - 50u" MIN. NICKEL UNDERPLATING OVERALL.
 - FITTING NAIL:
 - 80u" MIN. MATT TIN PLATING OVERALL,
 - 50u" MIN. NICKEL UNDERPLATING OVERALL.
 - REFLOW SOLDER CAPABLE TO 260°C PER ACES SPEC.
 - SPEC. PLS. REFER TO PS-51355-XXXX-XXX
 - PACKAGE PLS. REFER TO 51356-XXXX-XX-TRP
 - PART NUMBER

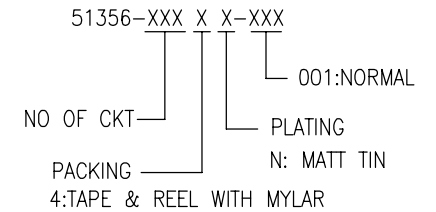


CKT	Dim A	Dim B	Dim C
2	2.0	8.0	6.3
3	4.0	10.0	8.3
4	6.0	12.0	10.3

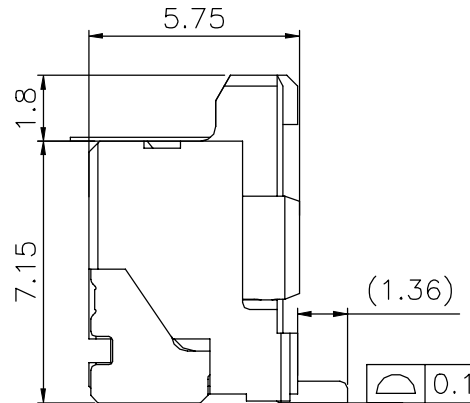
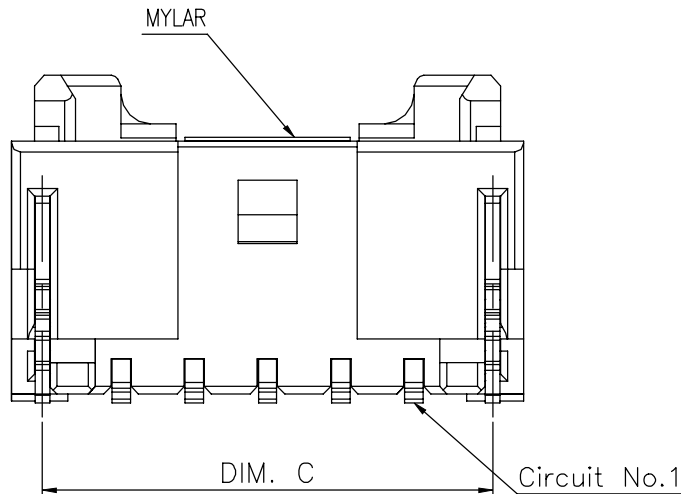
QUALITY SYMBOLS MAJOR Ⓢ CRITICAL Ⓢ GENERAL TOLERANCES (UNLESS SPECIFIED) X. ±0.5 X ±0.35 .XX ±0.25 .XXX ±0.15 ANGLES ±2°	DRAWN BY Zhang,hongjun CHECKED BY Lu,ling Quan APPROVED BY hsieh,fu yu	DATE 22/12/01 DATE 22/12/01 DATE 22/12/01	 2.00mm PITCH WAFER CONN. SMT S/R S/T TYPE
	UNITS mm SCALE 5:1	 SHEET NO. 1 OF 4	



- NOTES:
- MATERIAL:
 - HOUSING: THERMOPLASTIC, HIGH TEMP., UL94V-0; COLOR:NATURAL.
 - CONTACT: COPPER ALLOY
 - FITTING NAIL: COPPER ALLOY
 - FINISH:
 - CONTACT:
 - 80u" MIN. MATT TIN PLATING OVERALL, 50u" MIN. NICKEL UNDERPLATING OVERALL.
 - FITTING NAIL:
 - 80u" MIN. MATT TIN PLATING OVERALL, 50u" MIN. NICKEL UNDERPLATING OVERALL.
 - REFLOW SOLDER CAPABLE TO 260°C PER ACES SPEC.
 - SPEC. PLS. REFER TO PS-51355-XXXXX-XXX
 - PACKAGE PLS. REFER TO 51356-XXXX-XX-TRP
 - PART NUMBER

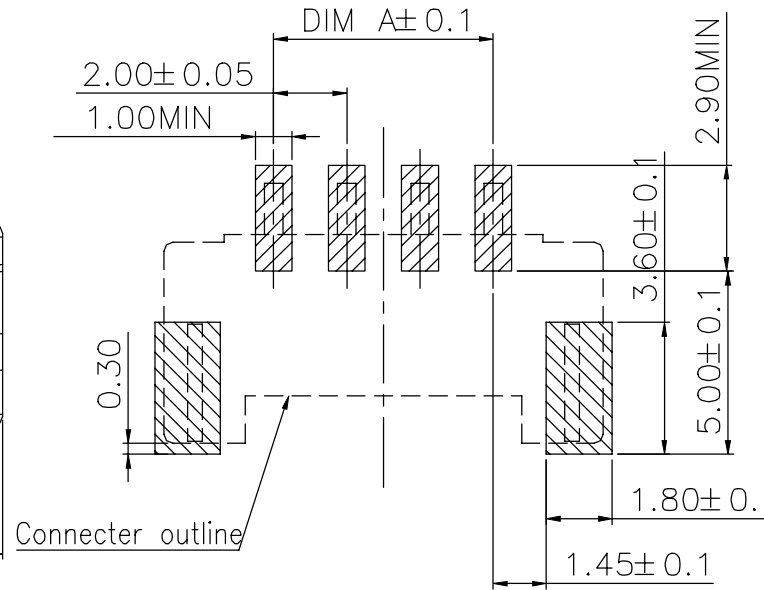
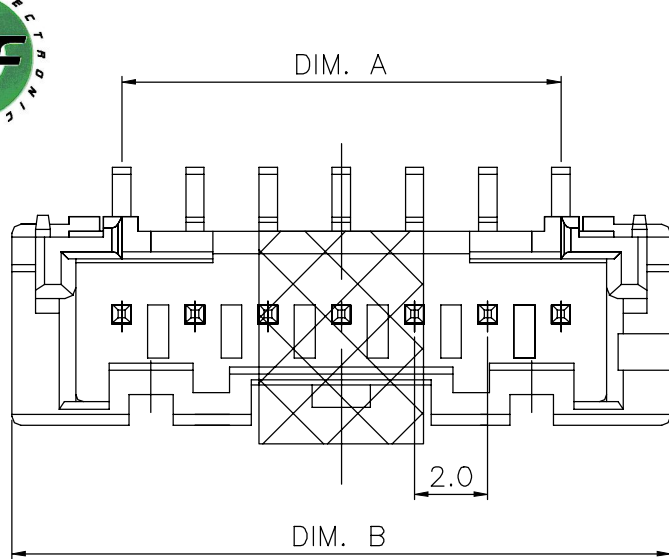


RECOMMENDED PCB LAYOUT
GENERAL TOLERANCE ±0.05



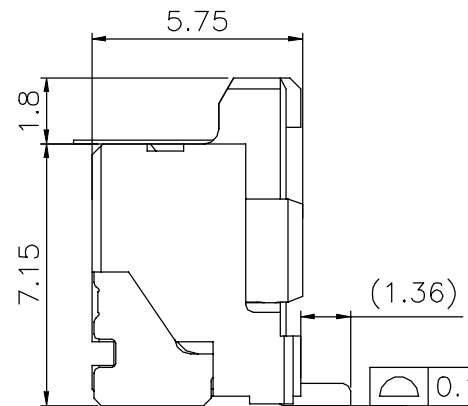
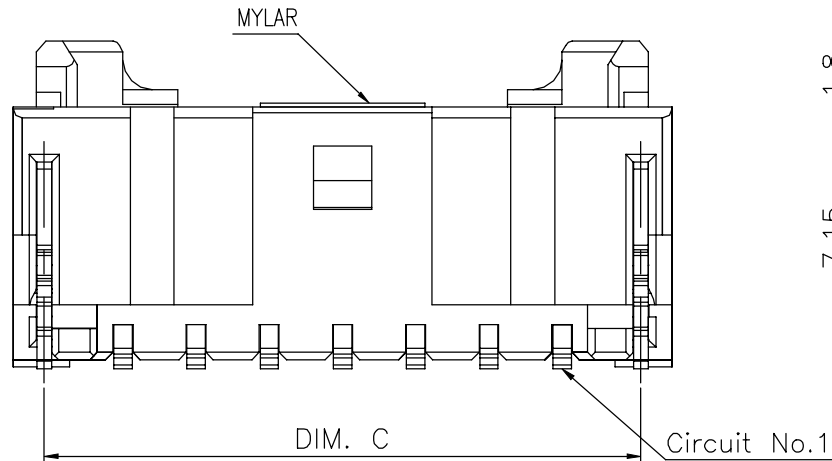
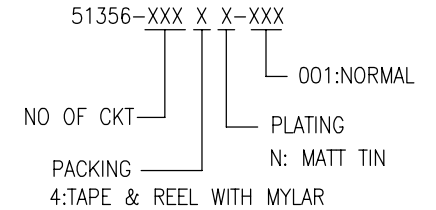
CKT	Dim A	Dim B	Dim C
5	8.0	14.0	12.3
6	10.0	16.0	14.3

QUALITY SYMBOLS MAJOR Ⓢ CRITICAL Ⓢ GENERAL TOLERANCES (UNLESS SPECIFIED) X. ±0.5 X ±0.35 .XX ±0.25 .XXX ±0.15 ANGLES ±2°	DRAWN BY Zhang,hongjun CHECKED BY Lu,ling Quan APPROVED BY hsieh,fu yu	DATE 22/12/01 DATE 22/12/01 DATE 22/12/01	ACES ELECTRONICS 2.00mm PITCH WAFER CONN. SMT S/R S/T TYPE
	UNITS mm SCALE 5:1	 SHEET NO. 2 OF 4	



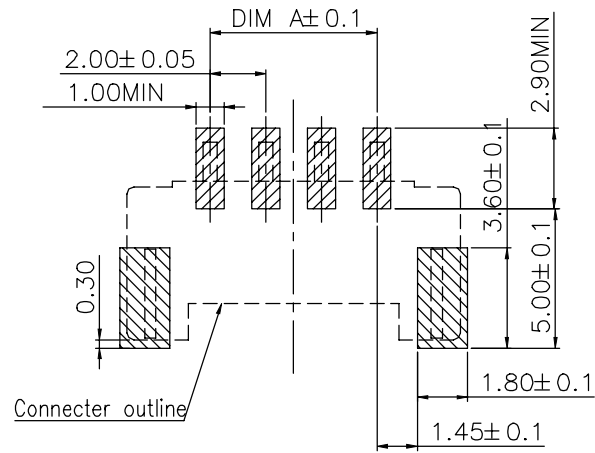
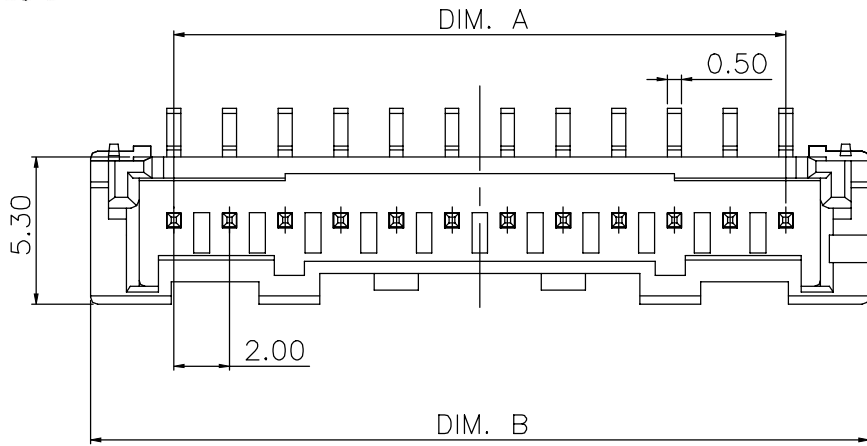
RECOMMENDED PCB LAYOUT
GENERAL TOLERANCE ±0.05

- NOTES:
- MATERIAL:
 - HOUSING: THERMOPLASTIC, HIGH TEMP., UL94V-0; COLOR:NATURAL.
 - CONTACT: COPPER ALLOY
 - FITTING NAIL: COPPER ALLOY
 - FINISH:
 - CONTACT:
 - 80u" MIN. MATT TIN PLATING OVERALL, 50u" MIN. NICKEL UNDERPLATING OVERALL.
 - FITTING NAIL:
 - 80u" MIN. MATT TIN PLATING OVERALL, 50u" MIN. NICKEL UNDERPLATING OVERALL.
 - REFLOW SOLDER CAPABLE TO 260°C PER ACES SPEC.
 - SPEC. PLS. REFER TO PS-51355-XXXXX-XXX
 - PACKAGE PLS. REFER TO 51356-XXXX-XX-TRP
 - PART NUMBER



CKT	Dim A	Dim B	Dim C
7	12.0	18.0	16.3
8	14.0	20.0	18.3
9	16.0	22.0	20.3

QUALITY SYMBOLS MAJOR Ⓢ CRITICAL Ⓢ GENERAL TOLERANCES (UNLESS SPECIFIED) X. ±0.5 X ±0.35 .XX ±0.25 .XXX ±0.15 ANGLES ±2°	DRAWN BY Zhang,hongjun DATE 22/12/01				
	CHECKED BY Lu,ling Quan DATE 22/12/01			TITLE 2.00mm PITCH WAFER CONN. SMT S/R S/T TYPE	
	APPROVED BY hsieh,fu yu DATE 22/12/01	UNITS mm		SIZE A4	RFQ NO. N/A
	SCALE 5:1	SHEET NO. 3 OF 4	REV D	PART NO. 51356-xxxx-xxx-aces	



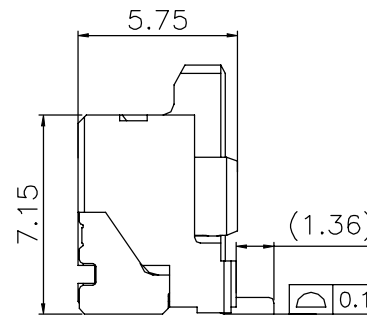
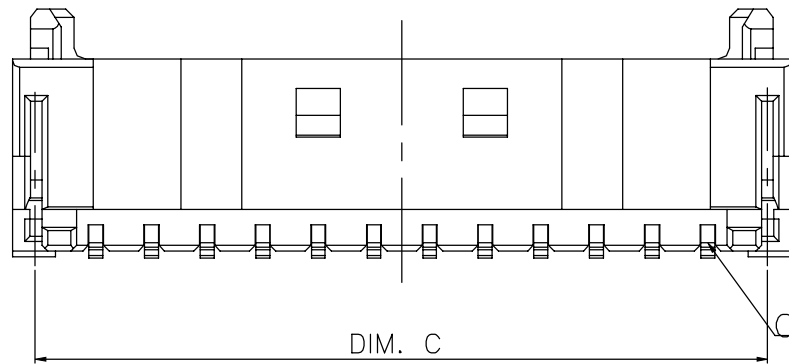
RECOMMENDED PCB LAYOUT
GENERAL TOLERANCE ± 0.05

- NOTES:
- MATERIAL:
 - HOUSING: THERMOPLASTIC, HIGH TEMP., UL94V-0; COLOR:NATURAL.
 - CONTACT: COPPER ALLOY
 - FITTING NAIL: COPPER ALLOY
 - FINISH:
 - CONTACT: 80u" MIN. MATT TIN PLATING OVERALL, 50u" MIN. NICKEL UNDERPLATING OVERALL.
 - FITTING NAIL: 80u" MIN. MATT TIN PLATING OVERALL, 50u" MIN. NICKEL UNDERPLATING OVERALL.
 - REFLOW SOLDER CAPABLE TO 260°C PER ACES SPEC.
 - SPEC. PLS. REFER TO PS-51355-XXXX-XXX
 - PACKAGE PLS. REFER TO 51356-XXXX-XX-TRP
 - PART NUMBER

51356-XXX X X-XXX

NO. OF CKT: 001:NORMAL
PLATING: N: MATT TIN

PACKING:
0:TAPE & REEL
4:TAPE & REEL WITH MYLAR



CKT	DIM A	Dim B	DIM C
12	22.0	28.0	26.3

QUALITY SYMBOLS MAJOR Ⓢ CRITICAL Ⓢ GENERAL TOLERANCES (UNLESS SPECIFIED) X. ± 0.5 X ± 0.35 .XX ± 0.25 .XXX ± 0.15 ANGLES $\pm 2^\circ$	DRAWN BY Zhang,hongjun CHECKED BY Lu,ling Quan APPROVED BY hsieh,fu yu	DATE 22/12/01 DATE 22/12/01 DATE 22/12/01	ACES ELECTRONICS TITLE 2.00MM PITCH WAFER CONN. SMT S/R S/T TYPE
	UNITS mm SCALE 5:1	 SHEET NO. 4 OF 4	